

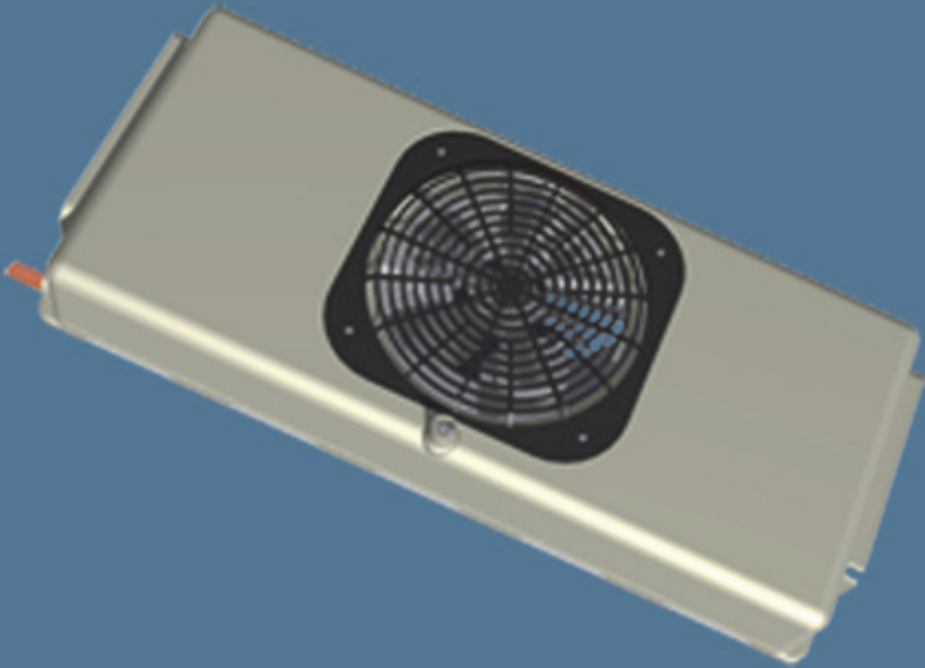


ELVICON
AIR-COOLED HEAT EXCHANGERS

EXPERIENCE QUALITY KNOW HOW
EXPERIENCE QUALITY KNOW HOW

SLE

UNIT COOLERS



• *LOW AIR VELOCITY*

• *FOR HIGH
TEMPERATURE APPLICATIONS*

• *CAPACITY RANGE
FROM 450W TO 870W*

Designed for patisseries display cases.
Low air velocity for high temperature applications.

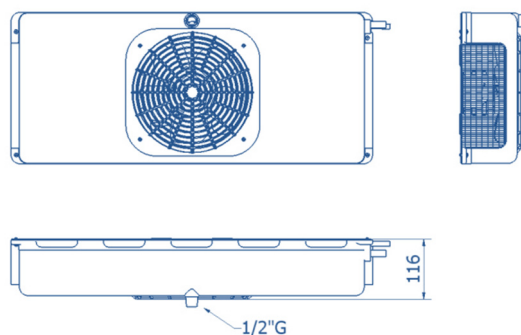
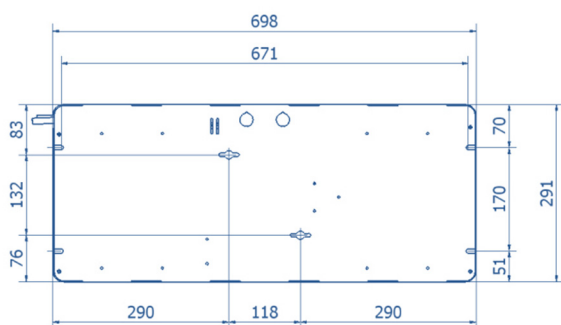
Casing and fan cover from recyclable ABS,
without sharp or cutting edges.

SLE

Easy removable casing with 4 screws M4, to facilitate installation and maintenance. Fan motor accessible by removing the plastic fan cover.

Finned coils from corrugated aluminum fins with 4mm spacing and copper tubes 3/8". On demand coils with anticorrosion treatment, certified for use in a food area.

Models		SLE 01	SLE 02
Nominal Capacity R404A (Watt)	SC1 $\Delta t=10K$	800	870
	SC2 $\Delta t=8K$	505	565
Fan		230V/50 Hz	230V/50 Hz
		1300 rpm	1300 rpm
		1 x 200	1 x 200
Power consumption	Watt	36	36
Air flow	m ³ /h	320	320
Air throw	m	2 x 2,9	2 x 2,9
Exchange surface	m ²	3,9	4,0
Internal volume	dm ³	0,62	0,83
Connections	Inlet	3/8" O.D.	3/8" O.D.
	Outlet	1/2" O.D.	1/2" O.D.



Standard Conditions

Standard Conditions	Air Inlet Temperature C°	Evaporating Temperature C°	RH %
SC1	10	0	85
SC2	0	-8	85

Refrigerant Correction Factor

Refrigerant	R404A	R134a	R507A	R407A-R407F	R407C
SC1	1	0,93	0,97	1,19	1,21
SC2	1	0,91	0,97	1,24	1,26

Elvicon

4 Lefktron St. 12133 Peristeri Athens – Greece Tel : +30 2105715572 Fax: +30 2105751650
e-mail : elvicon@elvicon.gr www.elvicon.gr

