

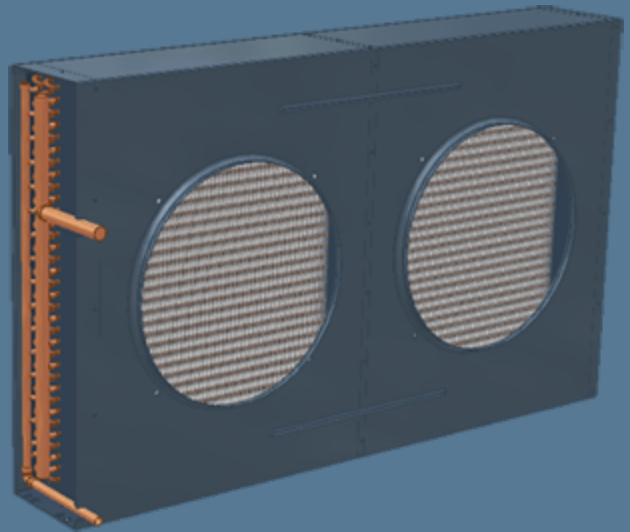
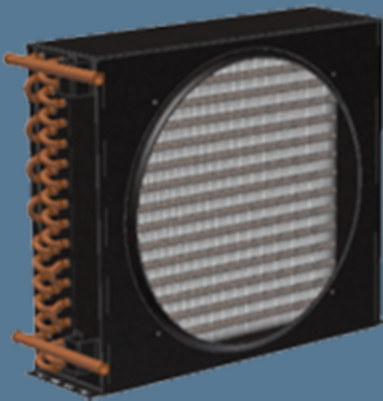


ELVICON
AIR-COOLED HEAT EXCHANGERS

EXPERIENCE, QUALITY, KNOW-HOW
EXPERIENCE, QUALITY, KNOW-HOW

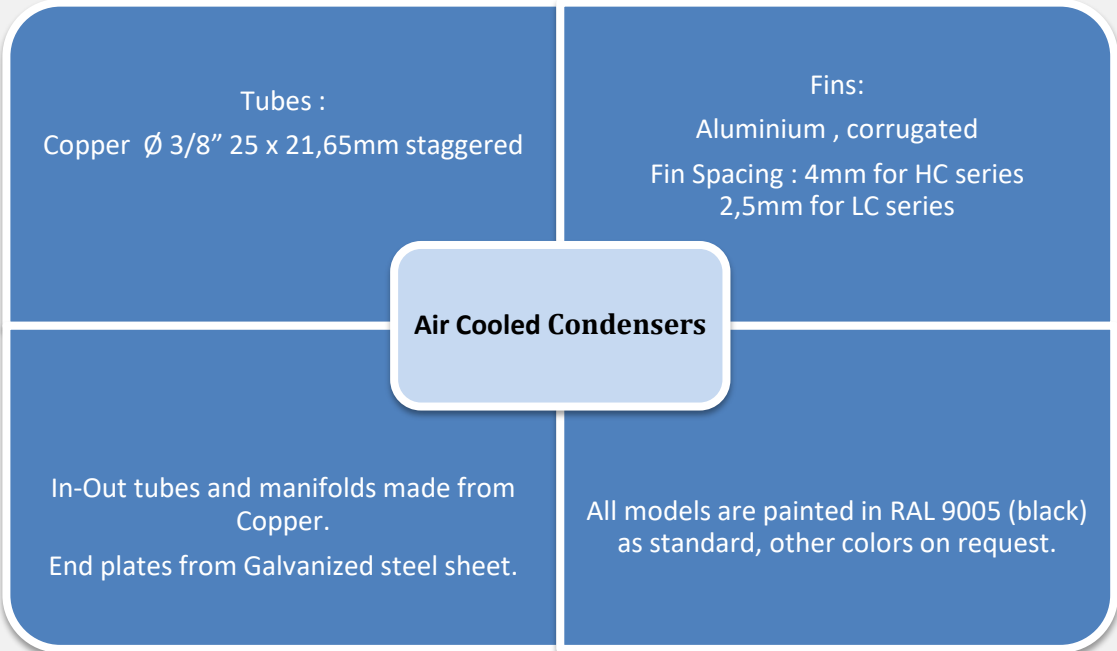
Air-Cooled Condensers

HC -LC series



 0,4 - 46 kw





Maximum operating pressure 30 bar. Maximum operating temperature +60° C.

For capacity calculation with different types of fan motors please contact us..

Capacities measurement conditions :
Refrigerant: R404A - Condensing Temperature: 40°C - Ambient Temperature: 25°C

Correction Factors

Refrigerant Factor (based in mid points)*		R404A		R448A		R449A		R452A		R450A		R513A		
f_1		1		1,08		1,07		1,04		0,92		0,93		
Δt (K)	Factor	8	9	10	11	12	13	14	15	16	17	18	19	20
f_2		0,53	0,60	0,67	0,73	0,80	0,87	0,93	1	1,07	1,13	1,20	1,27	1,33
Ambient T (C°)	Factor	5	10	15	20	25	30	35	40	45	50			
f_3		0,95	0,963	0,975	0,988	1	1,013	1,026	1,039	1,052	1,065			

* Mid-point condensing temperature, is the arithmetic mean temperature between the dew point temperature and the bubble point temperature at constant pressure.

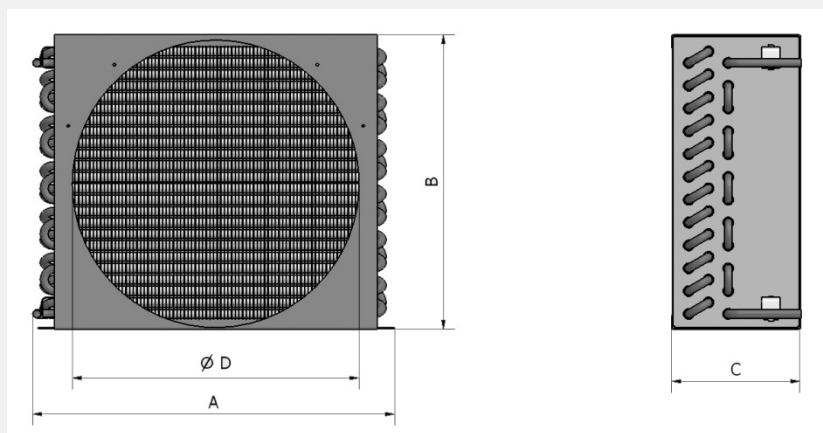
HC series

Model	Description	Capacity (W) R-404A $\Delta t=15K$	Air Flow m^3/h	Pressure Drop (Pa)	Fan Motors Data			Exchange Surface m^2	Internal Volume (l)
					$n^\circ \times \varnothing$ mm	Watt	rpm		
HC 04	60001 C- 8T2R225A200F40P0U1C	365	280	13	1 x 200 (28°)	10	1300	0,95	0,2
		400	320	16	1 x 200 (34°)	10	1300		
HC 05	60002 C- 8T3R225A200F40P0U1C	530	260	17	1 x 200 (28°)	10	1300	1,43	0,3
		550	280	20	1 x 200 (34°)	10	1300		
HC 10	60003 C-10T2R305A250F40P0U1C	900	700	25	1 x 250 (28°)	16	1300	1,62	0,4
		940	750	28	1 x 250 (28°)	18	1300		
HC 13	60004 C-10T3R305A250F40P0U1C	1200	600	29	1 x 250 (28°)	16	1300	2,42	0,6
		1270	650	33	1 x 250 (28°)	18	1300		
HC 19	60005 C-12T3R330A300F40P0U1C	1800	950	41	1 x 300 (22°)	25	1300	3,15	0,7
		1850	1.000	44	1 x 300 (28°)	34	1300		
HC 21	60006 C-12T4R330A300F40P0U2C	1950	870	47	1 x 300 (22°)	25	1300	4,2	1,0
		2020	890	49	1 x 300 (28°)	34	1300		
HC 25	60007 C-14T4R345A300F40P0U2C	2400	1.000	42	1 x 300 (28°)	34	1300	5,12	1,2
		2700	1.200	58	1 x 300	140	1410		
HC 40	60008 C-18T3R440A350F40P2U2C	3450	1.800	37	1 x 350	140	1380	6,27	1,4
		3800	2.100	48	1 x 350	187	1380		
		4300	2.600	69	1 x 350	200	1330		
HC 45	60009 C-18T4R440A350F40P0U2C	4150	1.700	45	1 x 350	140	1380	8,39	2,0
		4550	1.950	57	1 x 350	187	1380		
		5100	2.350	78	1 x 350	200	1330		
HC 75	60010 C-18T3R790A350F40P0U3C	6550	3.400	41	2 x 350	280	1380	11,3	2,7
		7250	4.000	53	2 x 350	374	1380		
		8200	4.950	76	2 x 350	400	1330		
HC 85	60011 C-18T4R790A350F40P0U4C	7700	3.200	49	2 x 350	280	1380	15,06	3,6
		8500	3.700	62	2 x 350	374	1380		
		9600	4.450	85	2 x 350	400	1330		
HC 105	60017 C-24T4R790A350F40P8U4C	9100	3.600	37	2 x 350	280	1380	19,9	4,4
		10050	4.200	47	2 x 350	374	1380		
		11600	5.250	69	2 x 350	400	1330		
HC 120	60018 C-24T5R790A350F40P8U7C	9900	3.400	42	2 x 350	280	1380	24,92	5,6
		11150	4.000	55	2 x 350	374	1380		
		12800	4.900	77	2 x 350	400	1330		
HC 170	60019 C-24T4R1000A450F40P8U7C	14500	6.500	67	2 x 450	500	1360	25,2	5,7
		16500	8.000	95	2 x 450	736	1390		
		18000	9.300	122	2 x 450	1100	1320		
HC 195	60020 C-24T5R1000A450F40P8U8C	16000	6.000	73	2 x 450	500	1360	31,5	7,0
		18600	7.500	106	2 x 450	736	1390		
		20400	8.700	136	2 x 450	1100	1320		

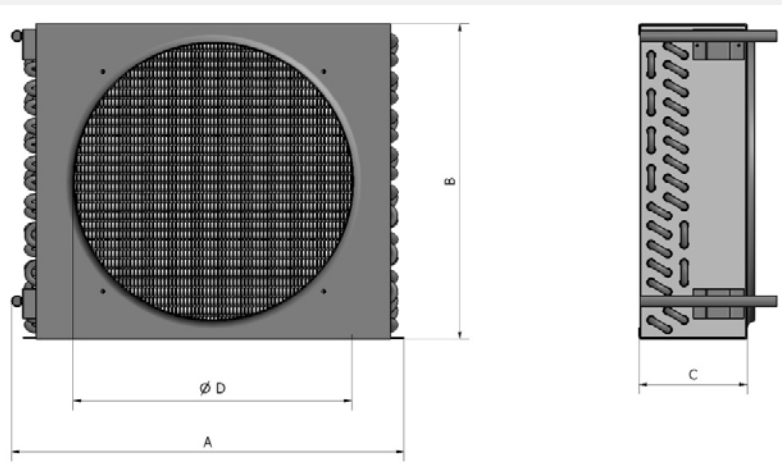
LC series

Model	Description	Capacity (W) R-404A $\Delta t=15K$	Air Flow m^3/h	Pressure Drop (Pa)	Fan Motors Data			Exchange Surface m^2	Internal Volume (l)
					$n^\circ \times \varnothing$ mm	Watt	rpm		
LC 32	60114 C-16T4R345A300F25P0U2C	3070	960	42	1 x 300 (28°)	34	1300	8,96	1,4
		3560	1180	59	1 x 300	140	1410		
LC 40	60115 C-16T3R440A350F25P12U2C	3700	1.630	49	1 x 350	140	1380	8,41	1,0
		4000	1.800	59	1 x 350	187	1380		
		4600	2.250	85	1 x 350	200	1330		
LC 45	60117 C-16T3R440A350F25P0U2C	4000	1.630	49	1 x 350	140	1380	8,57	1,3
		4300	1.800	59	1 x 350	187	1380		
		4950	2.250	85	1 x 350	200	1330		
LC 50	60119 C-16T4R440A350F25P0U2C	4550	1.500	57	1 x 350	140	1380	11,42	1,8
		4850	1.620	66	1 x 350	187	1380		
		5350	1.900	85	1 x 350	200	1330		
LC 340	60144 C-36T4R1100A500F25P8U17C	28100	10.200	79	2 x 500	900	1300	64	9,4
		31500	12.050	104	2 x 500	1300	1500		
		34300	13.700	130	2 x 500	1700	1360		
LC 400	60146 C-36T4R1400A500F25P8U17C	32600	11.000	59	2 x 500	900	1300	81,5	12,0
		36800	13.800	79	2 x 500	1300	1500		
		40800	15.200	103	2 x 500	1700	1360		
LC 450	60148 C-36T5R1400A500F25P10U17C	36400	10.600	69	2 x 500	900	1300	101,8	14,9
		41200	12.500	92	2 x 500	1300	1500		
		46000	14.500	118	2 x 500	1700	1360		

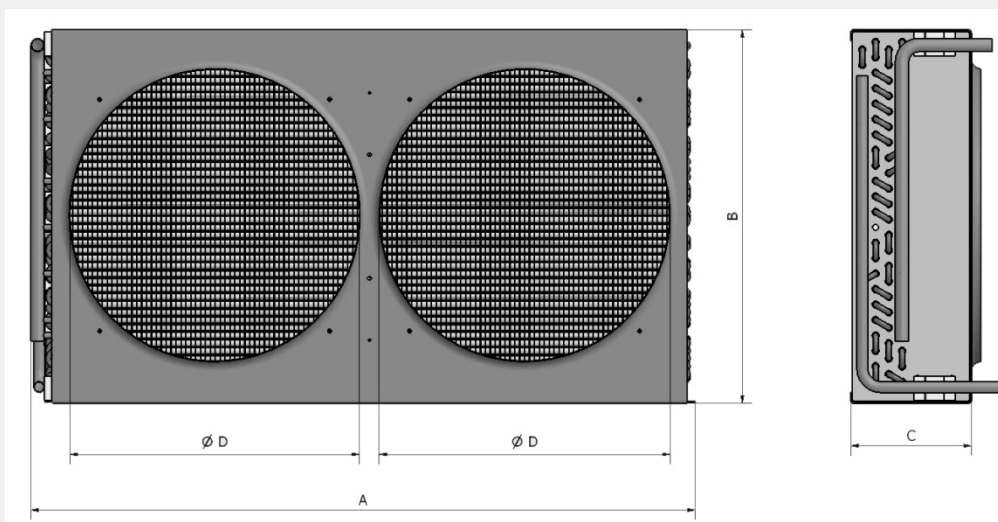
Dimensions



Model	Description	Dimensions (mm)				Connections (mm)	
		A	B	C	$\varnothing D$	Inlet (mm)	Outlet (mm)
HC 04	60001 C- 8T2R225A200F40P0U1C	276	231	102	215	10	10
HC 05	60002 C- 8T3R225A200F40P0U1C	276	231	102	215	10	10
HC 10	60003 C-10T2R305A250F40P0U1C	365	280	112	265	10	10
HC 13	60004 C-10T3R305A250F40P0U1C	365	280	112	265	10	10
HC 19	60005 C-12T3R330A300F40P0U1C	398	323	142	315	10	10
HC 21	60006 C-12T4R330A300F40P0U2C	398	323	142	315	10	10



Model	Description	Dimensions (mm)				Connections (mm)	
		A	B	C	ØD	Inlet (mm)	Outlet (mm)
HC 25	60007 C-14T4R345A300F40P0U2C	421	380	167	315	15	15
HC 40	60008 C-18T3R440A350F40P2U2C	516	480	172	365	15	15
HC 45	60009 C-18T4R440A350F40P0U2C	516	480	172	365	18	15
LC 32	60114 C-16T4R345A300F25P0U2C	421	417	142	315	15	15
LC 40	60115 C-16T3R440A350F25P12U2C	516	417	142	365	15	15
LC 45	60117 C-16T3R440A350F25P0U2C	516	417	142	365	15	15
LC 50	60119 C-16T4R440A350F25P0U2C	516	417	142	365	15	15



Model	Description	Dimensions (mm)				Connections (mm)	
		A	B	C	ØD	Inlet (mm)	Outlet (mm)
HC 75	60010 C-18T3R790A350F40P0U3C	862	480	172	365	18	15
HC 85	60011 C-18T4R790A350F40P0U4C	862	480	172	365	18	18
HC 105	60017 C-24T4R790A350F40P8U4C	865	603	195	365	18	18
HC 120	60018 C-24T5R790A350F40P8U7C	865	603	195	365	22	18
HC 170	60019 C-24T4R1000A450F40P8U7C	1091	603	195	465	22	18
HC 195	60020 C-24T5R1000A450F40P8U8C	1091	603	195	465	28	18
LC 340	60144 C-36T4R1100A500F25P8U17C	1190	912	236	520	28	18
LC 400	60146 C-36T4R1400A500F25P8U17C	1490	912	236	520	28	18
LC 450	60148 C-36T5R1400A500F25P10U17C	1490	912	236	520	28	18